

PKS-PRO-AEA-EC-15 - EtherCAT Servo System



FEATURES

- Updates 1000 Inputs/Outputs of Information
- Rated Torque of 1013 oz-in
- Power Ratings up to 1500 Watts
- Open Network Based on Ethernet
- 17-bit Absolute Encoder
- Maximum Speed of 3,000 RPM
- Supports Topologies - Line, Tree, and Star Type
- Brake Option Available
- CE Certified



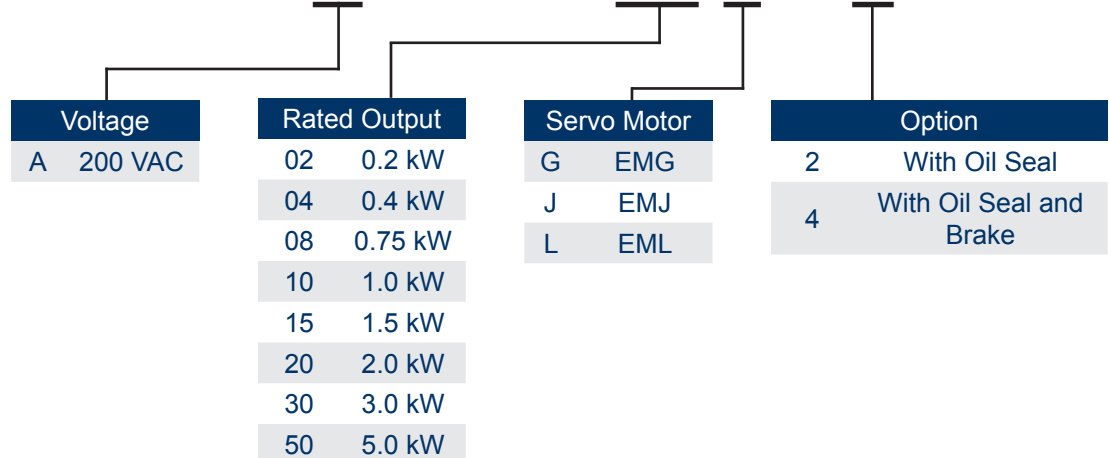
DESCRIPTION

The PKS-PRO-AEA-EC-15 EtherCAT Servo System includes a 1500 Watt EMG-15 Servo Motor operated by the PRONET-15AEA-EC EtherCAT Servo Drive. These packages are ideal for easy start-ups, convenience, and performance. The Servo Motors included in these packages provide up to 1013 oz-in of Rated Torque. The PRONET-15AEA-EC Drive offers current forward-feedback control, acceleration forward-feedback control, speed viewer, Ethernet networking, and inertia viewer; providing for improved response performance. Each system includes a 5m Motor Power Cable and a 5m Encoder Cable.

Item	Rated Voltage (VAC)	Rated Speed (RPM)	Rated Torque (oz-in)	Rated Current (Arms)	Inertia (oz-in-sec ²)	Torque Constant KT (oz-in/A)	Resistance (ohms)	Inductance (mH)	Brake (24VDC)	Motor Length (mm)	Shaft Diameter (mm)
PKS-PRO-AEA-EC-15-GP22	200	2000	1013	8.2	0.26056	123.6	0.4	5	No	170	22
PKS-PRO-AEA-EC-15-GP24	200	2000	1013	8.2	0.27614	123.6	0.4	5	Yes	212.5	22

ORDERING INFORMATION

PKS-PRO-AEA-EC-15-JP22



L011575

EMG-15 Motor Specifications



FEATURES

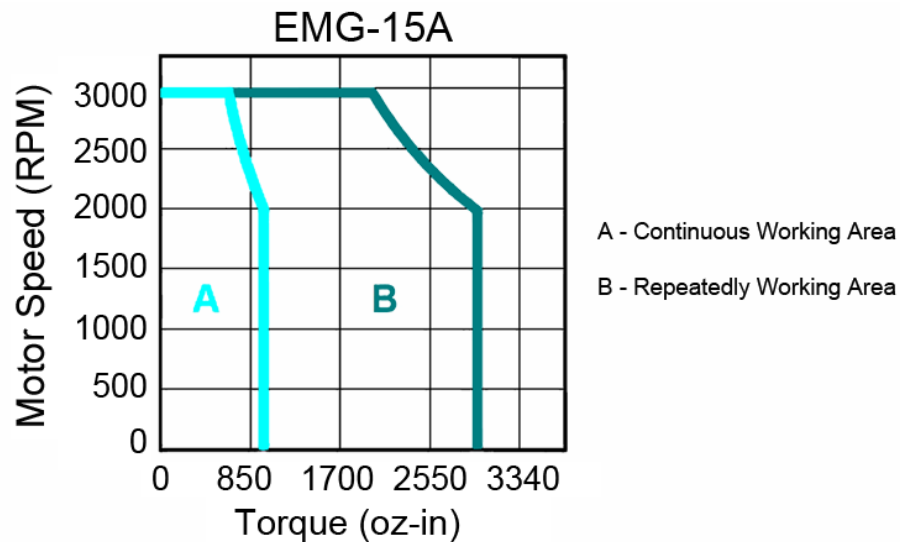
- 220 VAC
- **Rated Torque of 1013 oz-in**
- **1500 Watt Power Rating**
- **Rated Speed 2000 RPM**
- **Maximum Speed 3000 RPM**
- **Peak Torque up to 300% of Rated Torque**
- **Peak Current up to 300% of Rated Current**
- **131,072 PPR Absolute Encoder Attached**
- **Enclosed and Self-Cooled**
- **Brake Option Available**
- **CE Certified**

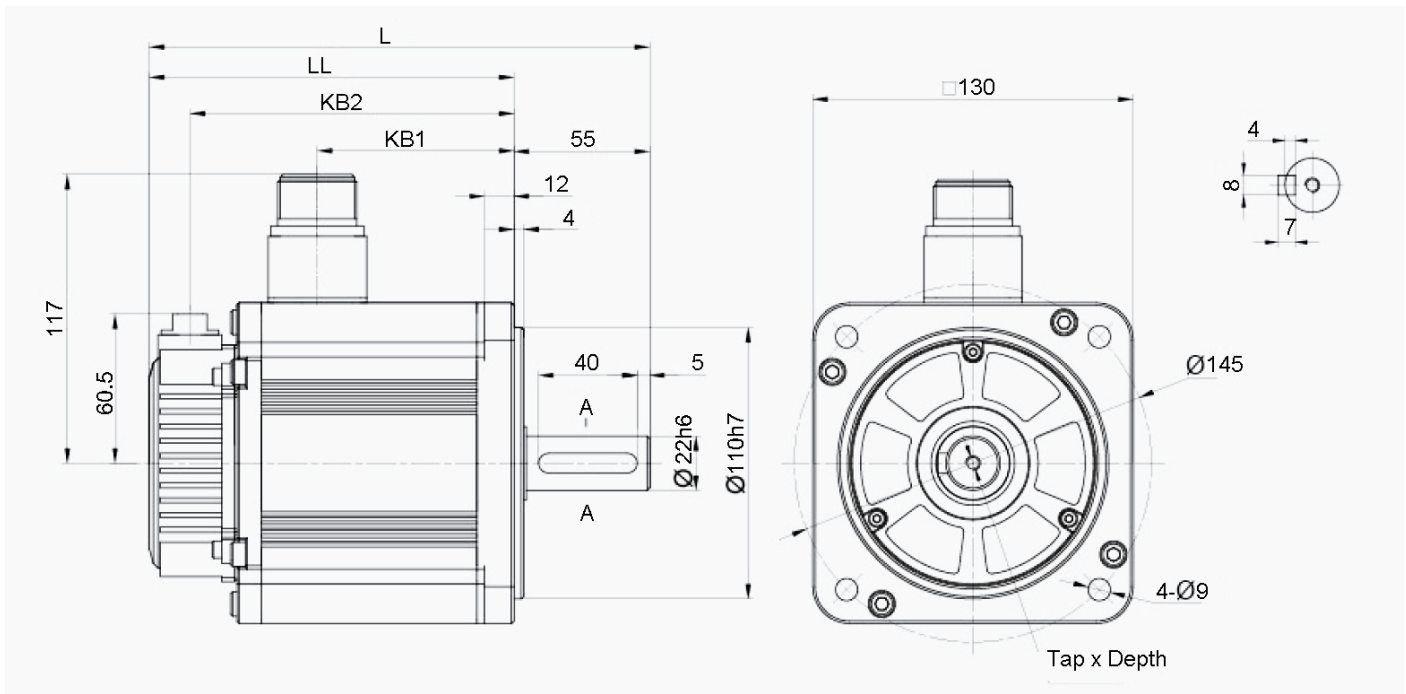


SPECIFICATIONS

Model #	Rated Torque (oz-in)	Rated Power (Watts)	Rated Speed (RPM)	Max Speed (RPM)	Rated Current (A rms)	Brake (24VDC)	Inertia (oz-in-sec ²)	Torque Constant K _T (oz-in/A)	Resistance (ohms)	Inductance (mH)	Length (mm)	Weight (lbs)
EMG-15ASB22	1013	1500	2000	3000	8.2	No	0.26056	123.6	0.4	5	170	19.6
EMG-15ASB24	1013	1500	2000	3000	8.2	Yes	0.27614	123.6	0.4	5	212.5	22.9

TORQUE CURVE



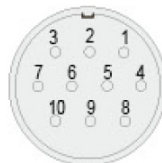


Note: All Dimensions in millimeters

Model #	L	LL	KB1	KB2
EMG-15ASB22	225	170	102	153.5
EMG-15ASB24	267.5	212.5	125.2	196

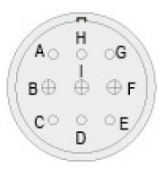
Note: the EMG-15ASB24 are Servo Motors with holding brakes.

Encoder Connector Specification:



Pin No.	Signal
1	S+
2	S-
3	BAT+
4	BAT-
7	PG0V
8	PG5V
10	FG

Motor Connector Specification:



Pin No.	Signal
A	-
B	U
C	FG
D	FG
E	-
F	W
G	B1
H	B2
I	V

Note: There are no B1, B2 signals in motor without brake.

Power Requirement: 220VAC	Vibration: 49 m/s ²	Running Air Pressure: 86 to 106 kPa
Insulation Class: F	Ambient Temperature: 20% to 80% RH	Insulation Voltage Endurance: AC 1800C, 50Hz, 1 min
Ambient Temperature: 0°C to 40°C	Running Humidity: Not More Than 90%, Under 25°C	Insulation Impedance: Not Less Than 50M Under Normal Conditions
Running Temperature: -25°C to 40°C		

Compatible Driver:

Part Number	Description
PRONET-15AEA-EC	Servo Driver



Compatible Cables

Part Number	Description
PAP-GA24-05-II	Encoder Cable
PDMB-GA14-05-II	Power / Brake Cable
PDM-GA16-05-II	Power Cable



PRONET-15AEA-EC EtherCAT Driver Specifications

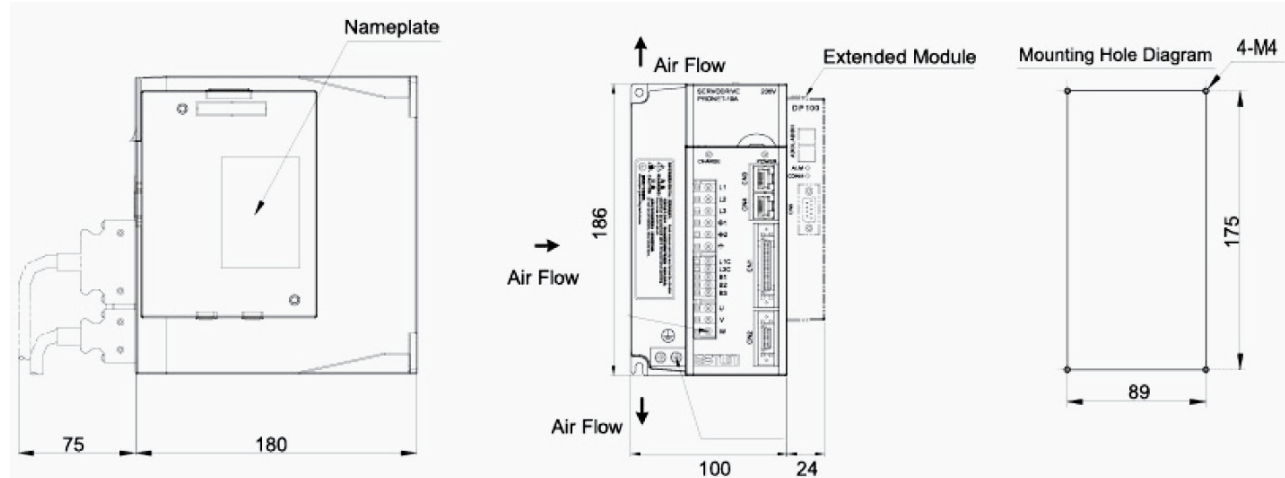


FEATURES

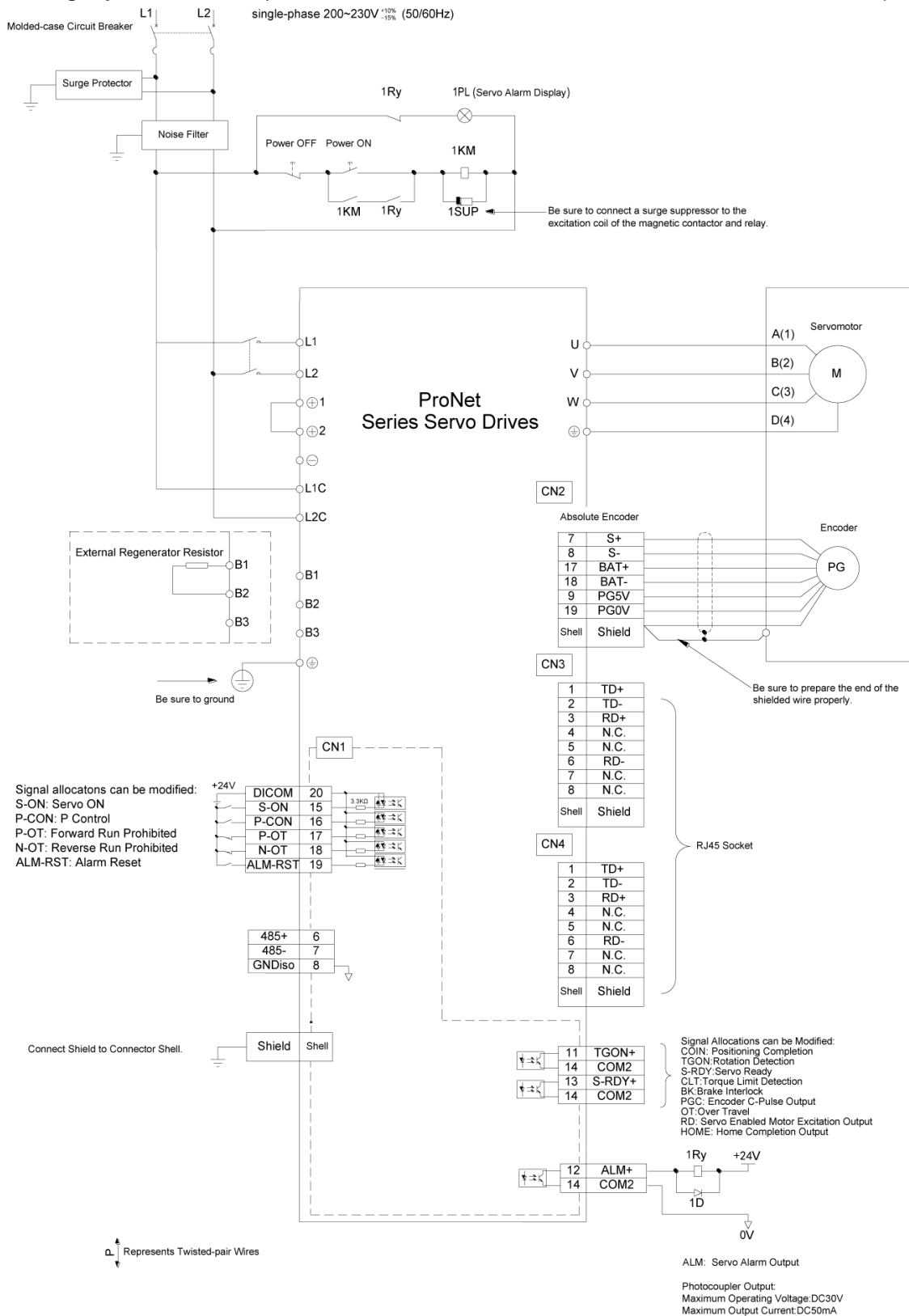
- Power Rating of 1500 Watts
- 100 BASE-TXI Twisted-Pair Wire, 100 BASE-FX Fiber, or LVDS (Low Voltage Differential Signaling)
- Supports Topologies - Line Type, Tree Type and Star Type
- Open Network Based on Ethernet
- Capable of Updating the Information of 1000 I/O
- Exchange of Frame as Big as 1486 Bytes



DIMENSIONS



Item	Rated Power (Watts)	Rated Voltage	Drive Control Capabilities	COMM	I/O Signals
PRONET-15AEA-EC	1500	200VAC	Position, Speed, Torque	EtherCAT	5 Inputs 3 Outputs



Compatible Drivers

Part Number	Description
PRONET-15AEA-EC	Servo Driver



Motor Options

Part Number	Description
EMG-15ASB22	Servo Motor
EMG-15ASB24	Servo Motor with Brake



Compatible Cables

Part Number	Description
PAP-GA24-05-II	Encoder Cable
PDMB-GA14-05-II	Power / Brake Cable
PDM-GA16-05-II	Power Cable

